

COMMPAK IP

WIRELESS SERIAL-ETHERNET BRIDGE



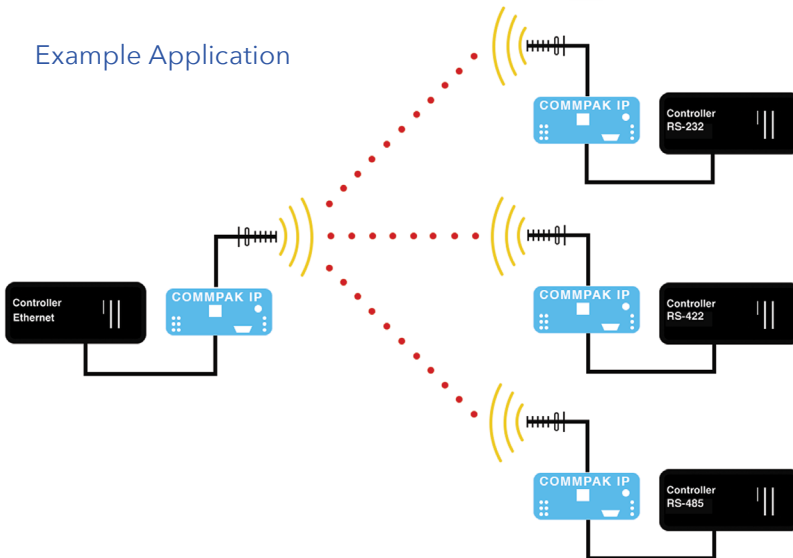
The **COMMPAK IP** gives traffic control and maintenance personnel an easy, affordable wireless system to extend IP based and serial networks beyond existing infrastructure.

Acting as a wireless bridge, the COMMPAK IP provides Ethernet connectivity for multiple IP based traffic management devices. This is the perfect solution for the following applications:

- ✓ Extending an Ethernet system to more intersections
- ✓ Bringing back multiple data streams from traffic controllers, video cameras, and traffic detectors over a reliable long range wireless data link
- ✓ Serial controller interconnect and high-compression video over the same link

With a powerful 1W FHSS radio operating on license-free 900 MHz frequency, this unit is optimized to mitigate line-of-sight obstacles and act as a Master access point, a Remote or as a Repeater with two serial ports and one Ethernet port operating simultaneously.

Example Application



**All interfaces are interchangeable within network and can operate as Master, Repeater or Remote

*Configuring, Controlling
and Monitoring your Encom
equipment is EASY with
ControlPAK and Stratos I/O!*



www.encomwireless.com

KEY BENEFITS

- Bandwidth capacity of 1.2 Mbps to support multiple communications in one traffic cabinet simultaneously
- Sustained data throughput of 230.4 Kbps on each serial port
- Easy migration from Serial to Ethernet systems
- Roaming access to company IP network
- QoS feature optimizes radio link and maximizes available 1.2 Mbps
- Includes ControlPAK software!



PHYSICAL SPECIFICATIONS		
Power Supply	9 VDC to 30 VDC	
Current (12 VDC)	Transmit: 600 mA	Receive: 95 mA
Serial Port	RS-232	RXD, TXD, RTS, CTS, DCD, DSR, DTR
	RS-422	Tx+, Tx-, Rx+, Rx-
	RS-485	4-wire, 2-wire
Connectors	Antenna	Reverse polarity TNC
	Serial	DB9F/Screw down terminal connector
	Ethernet	RJ45
	Power	2.1mm centre-positive barrel plug
Enclosure	Aluminum, Black Powder Coated	
Dimensions	4.75" W x 1.73" H x 3.75" D	
RADIO SPECIFICATIONS		
Technology	Frequency-hopping spread spectrum (FHSS) / DTS	
Operating Mode	Master, Repeater, Remote	
System Configuration	Point-to-Point, Point-to-Multipoint, Store & Forward Repeater, Peer-to-Peer	
Frequency Range	902-928 MHz, ISM band	
Hopping Patterns	Automatically generated	
Link Rate	1.2 Mbps, 345 Kbps	
Baud Rate & Data Format	300 bps to 230.4 Kbps	
	Even / Odd / No Parity	
	7 or 8 Data Bits	
Output Power	100mW-1W (20-30 dBm)	
Sensitivity	-103 dBm @ 345 Kbps link rate -97 dBm @ 1.2 Mbps link rate	
Error Detection	32-bit CRC, ARQ	
Data Encryption	128-bit WEP/WPA	
Antenna Port	RP TNC-F	
Certification	FCC, Industry Canada	
OPERATING SPECIFICATIONS		
Operating Temperature	-40°F to 176°F (-40°C to 80°C)	
Humidity	0% to 95% non-condensing	
INTERFACE SPECIFICATIONS		
Ethernet	10/100 BaseT, Auto - MDI/X, IEEE 802.3	
Network Protocols	TCP, UDP, TCP/IP, TFTP, ARP, ICMP, DHCP, HTTP, SNMP V1/V2/V3, FTP, DNS, Serial-over-IP, QoS	
VISUAL INDICATORS		
Power, COM1, COM2, LAN LINK, ACT, RSSI		
PROGRAMMING APPLICATION: ControlPAK		
Radio Configuration, Signal Strength, Poll Test		

*ENCOM Broadband radios require professional installation.
 Specifications subject to change without notice. Visit www.encomwireless.com for updates.
 © 2020 Encom Wireless Inc. All Rights Reserved.